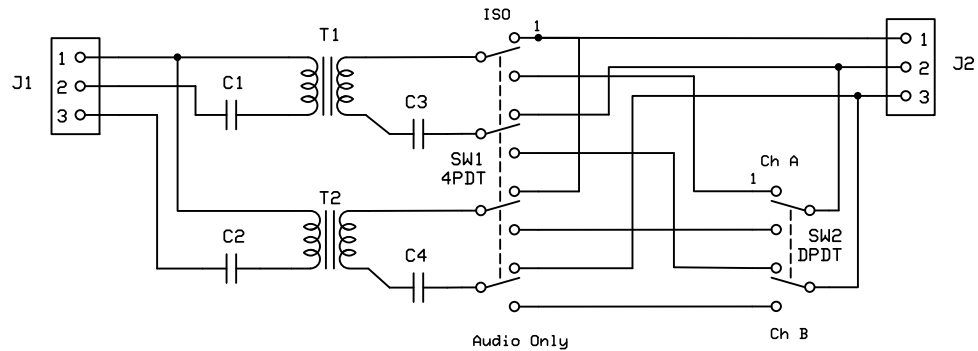


Wet intercom input

ISO 2 channel  
OR  
Audio Only bal line



J1 - Female XLR

J2 - Male XLR

C1, C2, C3, C4 - 10 mf, 50 vdc, NP Radio Shack 272-999

T1, T2 - Atech ATS - 081 Mouser 421-ATS081

SW1 - 4PDT Alco Mouser no 506-TT41NGRA1

SW2 - 4PDT Alco Mouser no 506-TT21NGRA1

Intercom ISO-AO adapter

Best Audio

Pete Erskine

Rev 1.0

10/24/2005